

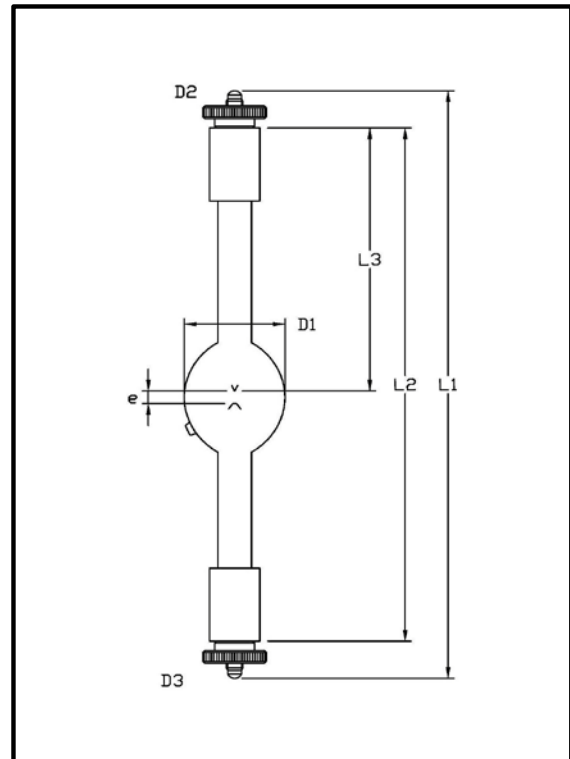
ABM, Inc. Asia Pacific Ltd.

500 WATT HIGH PRESSURE MERCURY SHORT ARC NUV LAMP

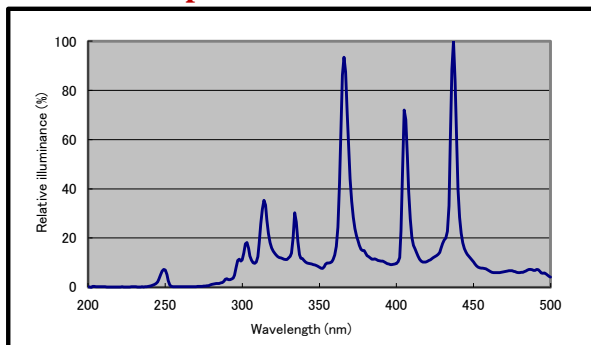
MODEL#ABM-500J

Operation Specifications			
Lamp Type			
Power	Watts		500
Current	Amps		6.7
Voltage	Volts		75
Average Life	Hours		600
Lamp Data			
Electrode gap (e)	mm		3.5
Lamp Length (L1)	mm		160
Lamp Length (L2)	mm		140
Bulb Diameter (D1)	mm		ϕ 25.4
LCL (L3)	mm		72
Base Type	--	B1	No. 8 x 32UNC
		B2	No. 8 x 32UNC
Base Temperature	°C		200

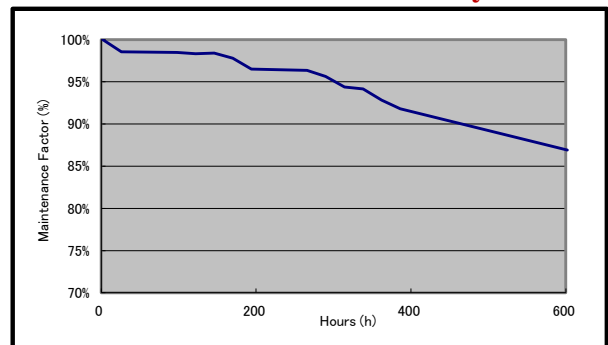
Dimensions



Spectral Distribution



Real Time Intensity



1901 Sunley Centre, 9 Wing Yin Street, Tsuen Wan, Hong Kong

Tel: (852) 2675-5598 ✆ Fax: (852) 2358-4766

www.abmasia.com.hk