

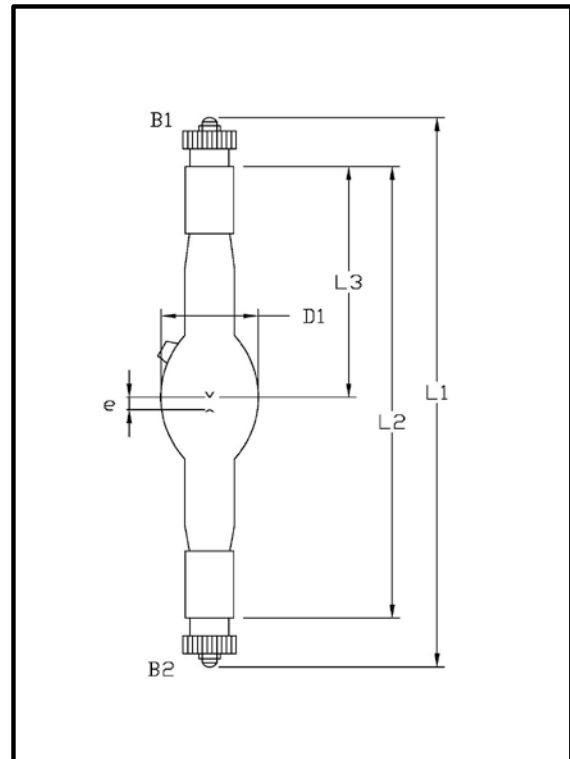
ABM, Inc. Asia Pacific Ltd.

350 WATT HIGH PRESSURE MERCURY SHORT ARC NUV LAMP

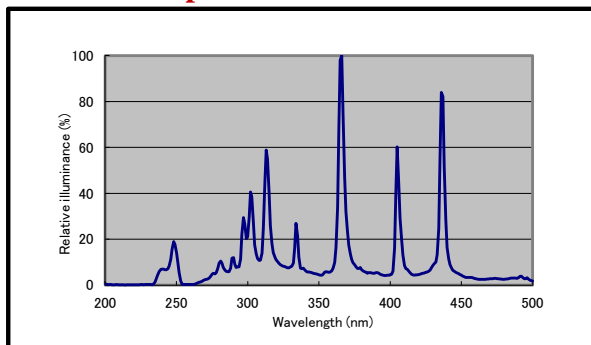
MODEL#ABM-350J

Operation Specifications			
Lamp Type			
Power	Watts		350
Current	Amps		6.0
Voltage	Volts		60
Average Life	Hours		1,000
Lamp Data			
Electrode gap (e)	mm		2.8
Lamp Length (L1)	mm		123
Lamp Length (L2)	mm		101
Bulb Diameter (D1)	mm		ϕ 20
LCL (L3)	mm		51.6
Base Type	--	B1	No. 8 x 32UNC
		B2	No. 8 x 32UNC
Base Temperature	$^{\circ}$ C		200

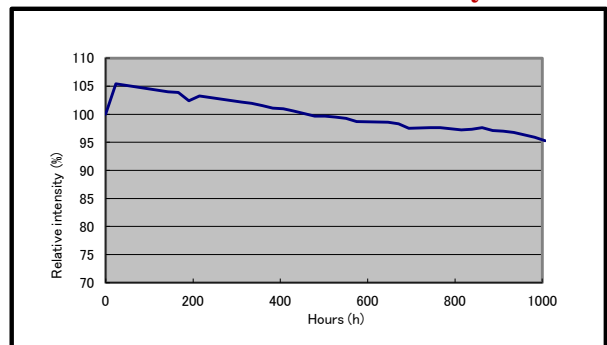
Dimensions



Spectral Distribution



Real Time Intensity



1901 Sunley Centre, 9 Wing Yin Street, Tsuen Wan, Hong Kong

Tel: (852) 2675-5598 ☒ Fax: (852) 2358-4766

www.abmasia.com.hk