

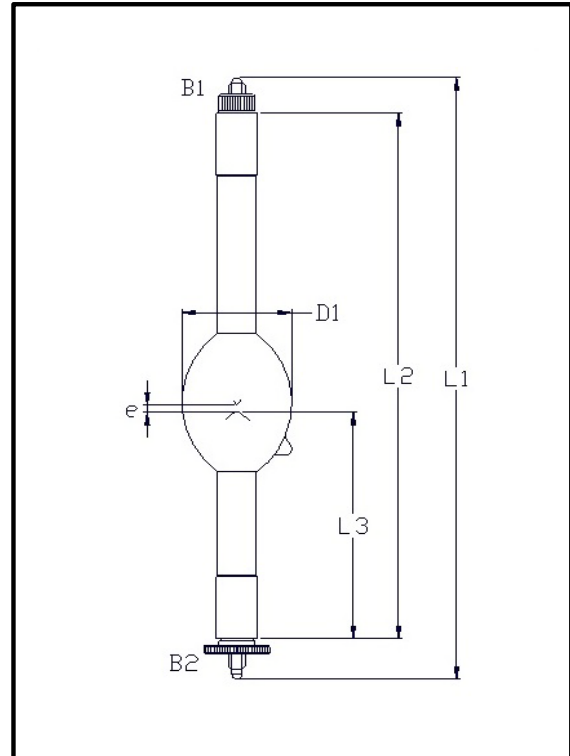
ABM, Inc. Asia Pacific Ltd.

1000 WATT HIGH PRESSURE MERCURY SHORT ARC NUV LAMP

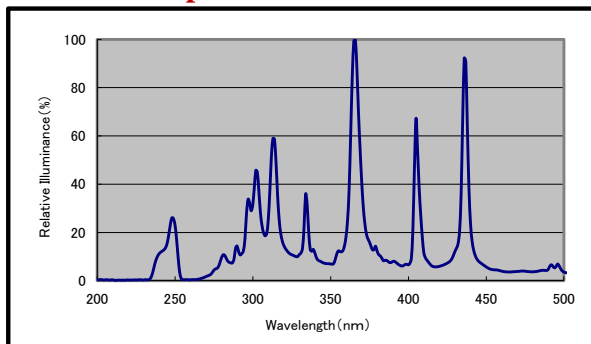
MODEL#ABM-1000J

Operation Specifications			
Lamp Type			
Power	Watts	1000	
Current	Amps	26.5	
Voltage	Volts	38	
Average Life	Hours	600	
Lamp Data			
Electrode gap (e)	mm	3	
Lamp Length (L1)	mm	240	
Lamp Length (L2)	mm	208	
Bulb Diameter (D1)	mm	φ 40.0	
LCL (L3)	mm	89.5	
Base Type	--	B1	M6×P1
		B2	M6×P1
Base Temperature	°C	200	

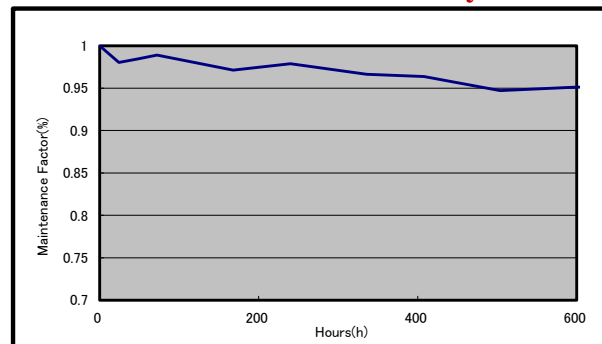
Dimensions



Spectral Distribution



Real Time Intensity



1901 Sunley Centre, 9 Wing Yin Street, Tsuen Wan, Hong Kong

Tel: (852) 2675-5598 ☒ Fax: (852) 2358-4766

www.abmasia.com.hk